






Holiday Maths Pack

Use these activities over the holidays to help your child with their maths.



This pack contains tasks to practise:

-  Times tables
-  Negative numbers
-  Area
-  Addition and Subtraction
-  Division

An answer sheet is included at the back. It would be a great idea to check and correct the answers together with your child. This would help you to identify any areas where they might need more practice.

Times Tables Quiz

1. $5 \times 7 =$ _____

2. $3 \times 8 =$ _____

3. $6 \times 6 =$ _____

4. $6 \times 8 =$ _____

5. $8 \times 6 =$ _____

6. $4 \times 6 =$ _____

7. $6 \times 4 =$ _____

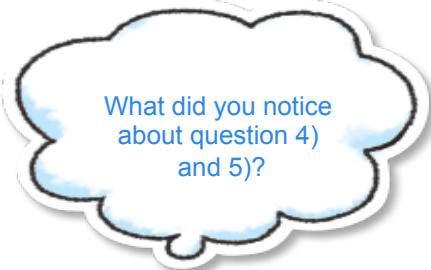
8. $4 \times 8 =$ _____

9. $8 \times 4 =$ _____

10. $5 \times 9 =$ _____

11. $7 \times 4 =$ _____

12. $6 \times 7 =$ _____

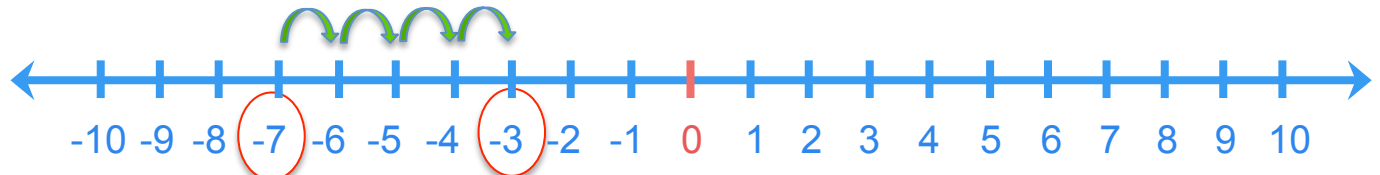


What did you notice
about question 4)
and 5)?

Negative Numbers Quiz

Use the number line to help you

Example: $-7 + 4 = -3$



1. $-4 + 2 =$ _____

6. $-2 + 1 =$ _____

2. $-5 + 1 =$ _____

7. $-4 - 7 =$ _____

3. $3 - 4 =$ _____

8. $-2 + 8 =$ _____

4. $-7 + 2 =$ _____

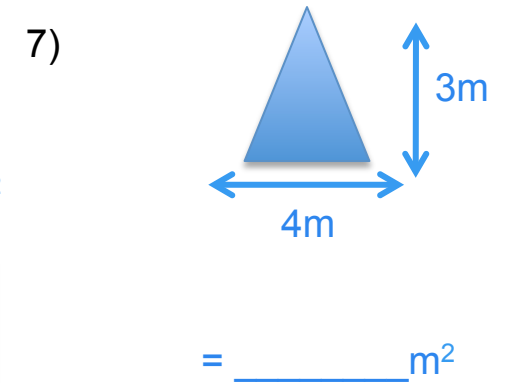
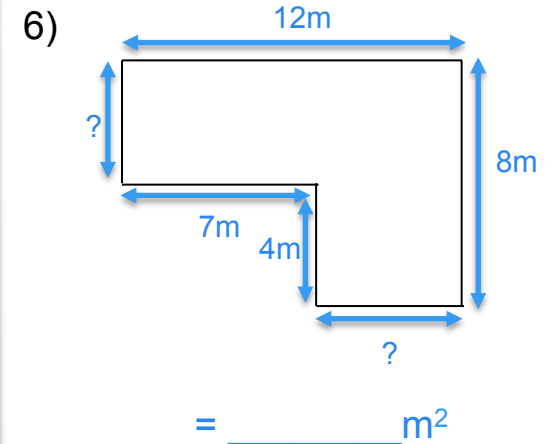
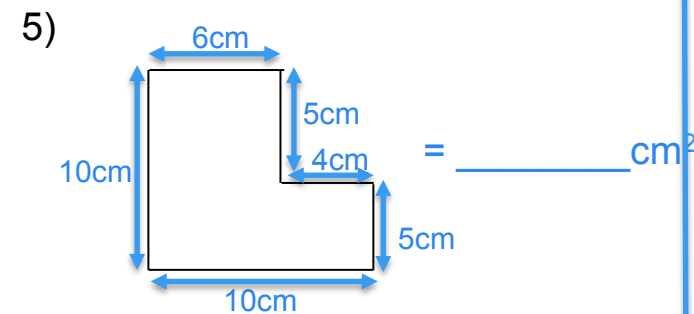
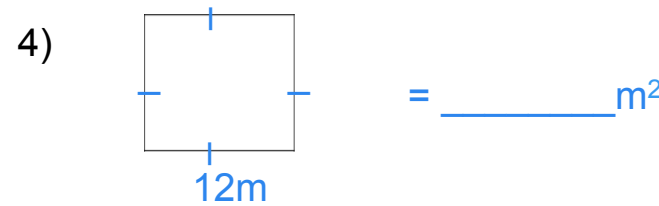
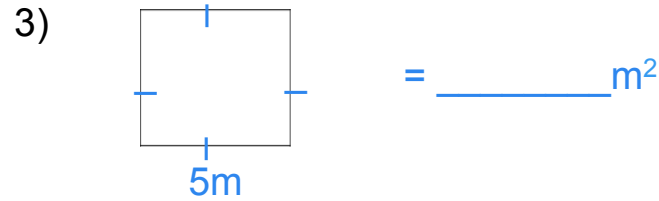
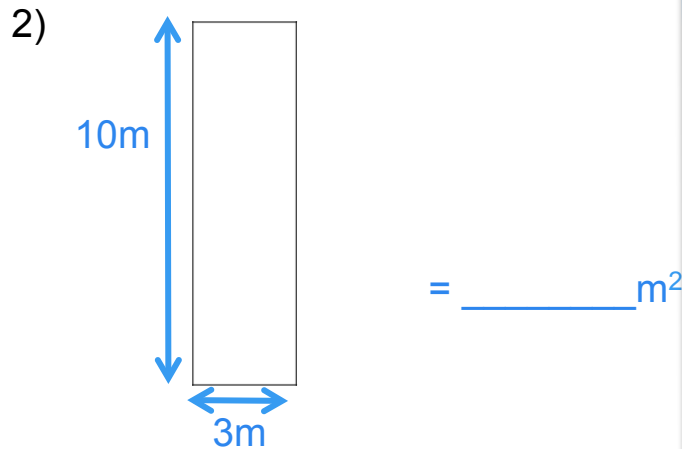
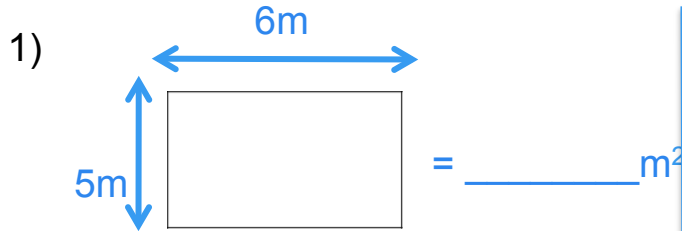
9. $3 - 5 =$ _____

5. $4 - 7 =$ _____

10. $-3 + 2 =$ _____

Area Quiz

Calculate the area of each of these shapes



Addition and Subtraction Quiz



1. $567 + 30 =$ _____

7. $2.5 + 1.5 =$ _____

2. $67 - 34 =$ _____

8. $2 + 3.4 =$ _____

3. $437 + 214 =$ _____

9. $7.34 + 2.38 =$ _____

4. $3454 + 2341 =$ _____

10. $12 - 2.34 =$ _____

5. $764 - 328 =$ _____

11. $18 - 3.5 =$ _____

6. $1001 - 23 =$ _____

12. $4.8 + 1.005 =$ _____

Short Division Quiz

Example:
$$\begin{array}{r} 177 \\ 3 \overline{)531} \end{array}$$

1.
$$2 \overline{)342}$$

2.
$$4 \overline{)544}$$

3.
$$5 \overline{)725}$$

4.
$$3 \overline{)624}$$

5.
$$4 \overline{)324}$$

6.
$$6 \overline{)720}$$

Answers

Times Tables

- 1) 35
- 2) 24
- 3) 36
- 4) 48
- 5) 48
- 6) 24
- 7) 24
- 8) 32
- 9) 32
- 10) 45
- 11) 28
- 12) 42

Negative Number

- 1) -2
- 2) -4
- 3) -1
- 4) -5
- 5) -3
- 6) -1
- 7) -11
- 8) 6
- 9) -2
- 10) -1

Area

- 1) 30m²
- 2) 30m²
- 3) 25m²
- 4) 144m²
- 5) 80cm²
- 6) 68m²
- 7) 6m²

Addition and Subtraction

- 1) 597
- 2) 33
- 3) 651
- 4) 5795
- 5) 436
- 6) 978
- 7) 4 or 4.0
- 8) 5.4
- 9) 9.72
- 10) 9.66
- 11) 14.5
- 12) 5.805

Short Division

- 1) 171
- 2) 136
- 3) 145
- 4) 208
- 5) 81
- 6) 120